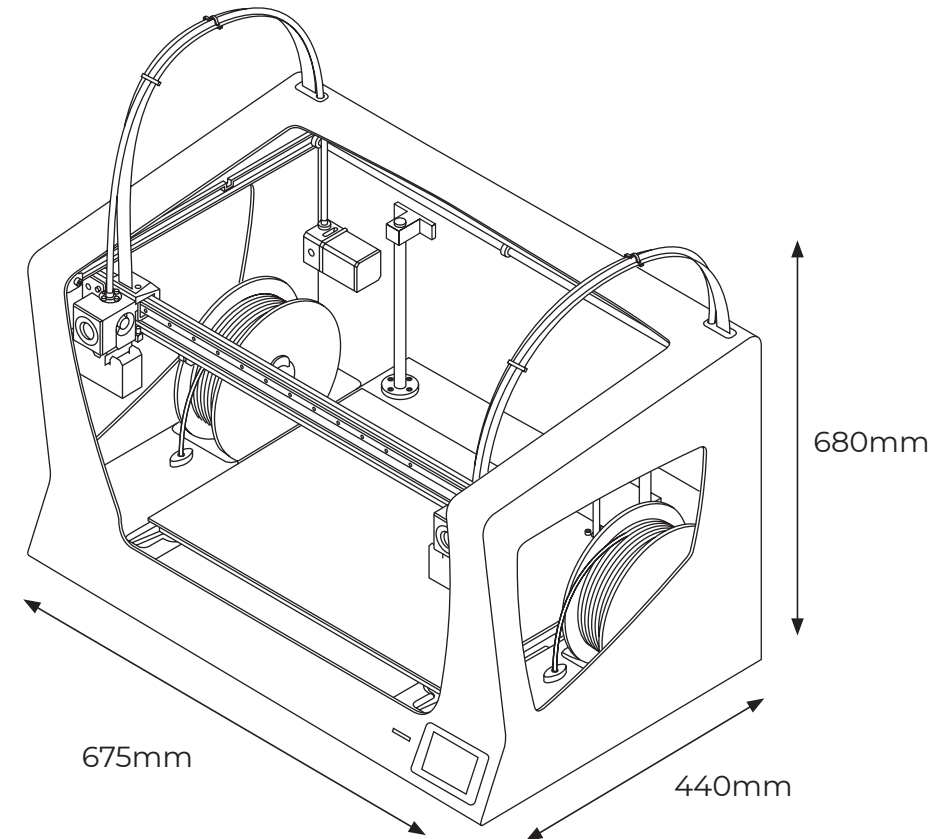


SIGMAX R19

SPECIFICATIONS



PRINTER PROPERTIES

Technology

Fused Filament Fabrication (FFF)

Architecture

Independent Dual Extruder (IDEX)

Printing volume

420mm x 297mm x 210mm

Extruders

2

Warranty

**2 years for EU countries.
1 year for non-EU countries.**

Extruder system

**Extruder Bondtech™ high-tech dual drive gears.
Hotends: Optimized and manufactured by e3D™.**

Printing Models

**Duplication mode
Mirror Mode
Soluble Supports Mode
Multimaterial Mode**

Electronics

**BCN3D Electronics v1.0
Independent Stepper Drivers**

Firmware

BCN3D Sigmax – Marlin

Heated bed

PCB

Screen

Full Color Capacitive Touchscreen

Supported files

gcode

Operating Sound

50 dB(A)

Nozzle diameter

0,3mm / 0,4mm (Standard) / 0,5mm (Special) / 0,6mm / 0,8mm / 1,0mm

Certifications

CE / FCC

Connectivity

**SD Card (autonomous)
USB**

PHYSICAL DIMENSIONS

Overall dimensions

675mm x 440mm x 680mm
(Including cables)

Weight: **18 kg**

(without filament spools)

Shipping box dimensions

550mm x 570mm x 674mm

Shipping weight: **32 kg**

MATERIALS

Filament diameter

2,85 ± 0,05 mm

Compatible Materials

**PLA, NYLON, PET-G, ABS, TPU,
PVA, Composites, Others**

Open Filament System

Yes

PRINTING PROPERTIES

Layer height

0,05 – 0,5mm
(depending on the nozzle diameter)

Positioning resolution (X/Y/Z)

1,25µm / 1,25µm / 1µm

Operating temperature

15°C – 35°C

Extruder maximum temperature

290°C

Heated bed maximum temperature

100°C

SOFTWARE

File preparation software

BCN3D Cura

Operative Systems

Windows, Mac, Linux

Supported files

STL, OBJ, AMF

ELECTRIC PROPERTIES

Input

AC 84-240V, AC 3,6-1,3A, 50-60Hz

Output

24V DC, 13A

Power Consumption

370W