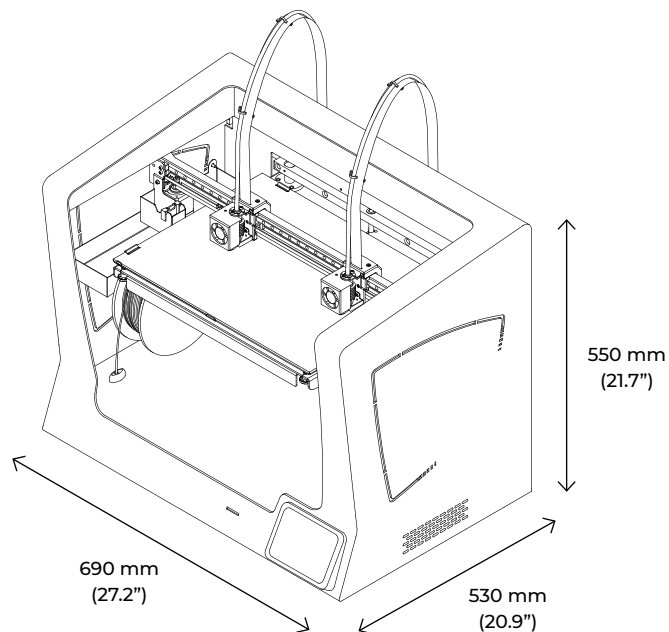
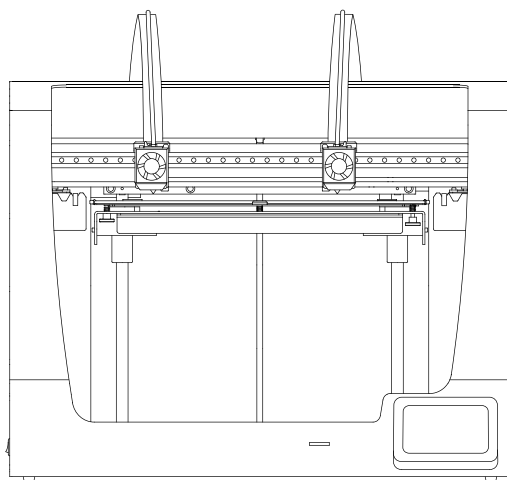


# Specifications



## BCN3D Sigma D25



### Printer properties

<b>3D Printing Technology</b>	Fused Filament Fabrication (FFF)
<b>Architecture</b>	Independent Dual EXtruder (IDEX)
<b>Printing volume</b>	420mm x 300mm x 200mm (16.5" x 11.8" x 7.9")
<b>Number of extruders</b>	2
<b>Warranty</b>	2 years for EU countries 1 year for non-EU countries
<b>Extruder system</b>	Extruder Bondtech™ high-tech dual drive gears Hotends optimized
<b>Printing modes</b>	Single mode Duplication mode Mirror mode Multimaterial mode Soluble Supports mode
<b>Electronics</b>	Single Board Computer: Toradex ARM Compute Module Motion Board: BCN3D Electronics with Independent Stepper Drivers
<b>Firmware</b>	BCN3D Embedded Linux distribution BCN3D Sigma D25 - Marlin

# Specifications



## BCN3D Sigma D25

### Printer properties

<b>Calibration system</b>	Based on a piezoelectric sensor Main features: * Accurate Z homing * Quick assisted bed leveling * Automatic XYZ offset extruder calibration * Automatic Mesh Mapping
<b>Heated bed</b>	Silicone thermal pad
<b>Screen</b>	5" full color capacitive touchscreen
<b>Supported languages</b>	Spanish English German French Italian Japanese Portuguese Chinese
<b>Supported files</b>	*.gcode
<b>Operating sound</b>	49dB
<b>Nozzle diameter</b>	Brass nozzle: 0,4mm (default)   0,8mm
<b>Certifications</b>	CE / FCC
<b>Connectivity</b>	Offline printing: SD card Online printing: WiFi or Ethernet (through BCN3D Cloud)

### Materials

<b>Filament diameter</b>	2,85 ± 0,05 mm
<b>Compatible materials</b>	Standard materials: PLA, Tough PLA, PET-G, TPU 98A, PVA, BVOH
<b>Open filament system</b>	Yes

# Specifications



## BCN3D Sigma D25

### Physical properties

Overall dimensions	690mm (W) x 530mm (D) x 550mm* (H) (27.2" x 20.9" x 21.7") *720mm with bowden (28.3")
Weight	30kg (66.1 lb)
Shipping box dimensions	800mm (W) x 600mm (D) x 730mm (H) (31.5" x 23.6" x 28.7")
Shipping weight	38kg (83.78 lb)
Shipping method	Box

### Printing properties

Recommended profiles	Layer height: 0,2mm   0,3mm   0,4mm (depending on nozzle diameter)
Layer height	0,05mm - 0,5mm (custom profiles)
Positioning resolution (X / Y / Z)	1,25µm / 1,25µm / 1µm
Operating temperature	15 °C - 30 °C
Extruder maximum temperature	300 °C
Heated bed maximum temperature	80 °C

### Electric Properties

Input	AC 100-240V, AC 6,5-2,7A, 50-60Hz
Maximum power consumption	650W

### Software

File preparation software	BCN3D Stratos
Operating Systems	Windows, Mac, Linux
Supported files	STL, 3MF, OBJ, AMF, DAE, ZAE, CTM, PLY, X3D, GLB, GLTF
Wireless connectivity	BCN3D Cloud
Supported browsers	Google Chrome, Mozilla Firefox, Microsoft Edge, Safari, Opera

Specifications subject to change. EN-DS-SD25-v1.8