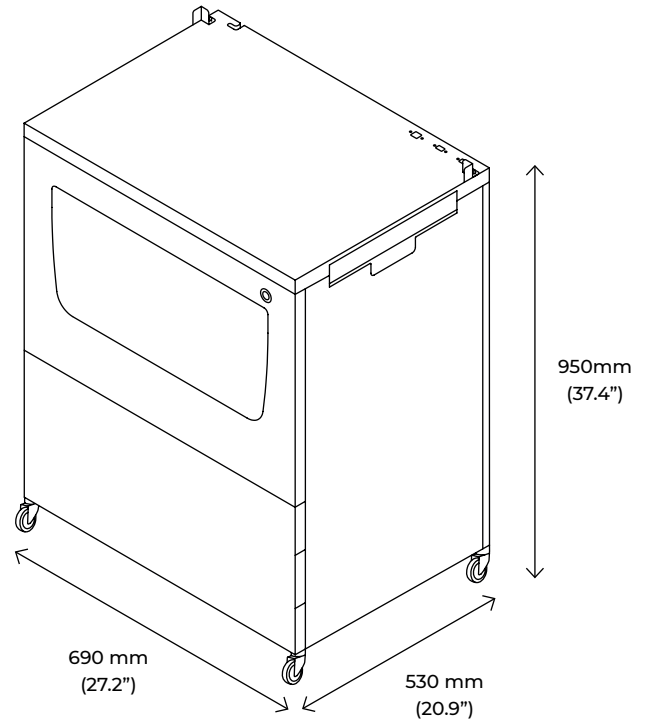
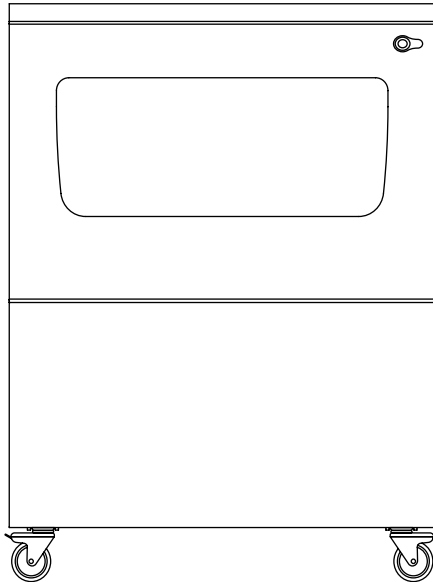


# Specifications



## BCN3D Smart Cabinet



### Product properties

Certifications CE / FCC

### Physical properties

Overall dimensions 690mm (W) x 530mm (D) x 950mm (H)

Weight 85,9 (189,3 lb) kg

Shipping box dimensions 800mm (W) x 600mm (D) x 1240mm (H)

Shipping weight 100 (220,4 lb) kg

Shipping method Half Europallet

# Specifications



## BCN3D Smart Cabinet

### Electrical properties

<b>Output</b>	230V / 120V / 100V
<b>Input</b>	version 230V: 200 / 208 / 220 / 230 / 240 V AC [50-60 Hz ±10Hz] version 120V: 100 / 110 / 115 / 120 / 127 V AC [50-60 Hz ±10Hz] version 100V: 100 / 110 / 115 / 120 / 127 V AC [50-60 Hz ±10Hz]
<b>Power output</b>	1000VA
<b>Data connection</b>	USB connection (Type-A to Type-B cable)
<b>UPS topology</b>	Online 1kVA
<b>Battery specifications</b>	3 batteries / 36 VDC x 7Ah
<b>Sensors</b>	Internal and external humidity sensor

### Dehumidifier properties

<b>Dehumidifier topology</b>	Air tight container with an active humidity controller unit
<b>Dehumidifier system strategy</b>	4-cycle desiccant and recovery system: First cycle: spool drying Second cycle: stand-by Third cycle: desiccant recovery Fourth cycle: desiccant cool-down
<b>Desiccant type</b>	Alumina base desiccant
<b>Humidity level</b>	< 40% RH
<b>Recovery time (approximate)</b>	2h

# Specifications



## BCN3D Smart Cabinet

### Material handling

---

<b>Filament diameter</b>	2.85mm
<b>Compatible spools</b>	<p>With BCN3D Spool Cartridge</p> <ul style="list-style-type: none"><li>· Diameter: 197mm - 203mm</li><li>· Central bore diameter: more than 50mm</li><li>· Width: 55mm</li></ul> <p>Without BCN3D Spool Cartridge:</p> <ul style="list-style-type: none"><li>· Diameter: up to 303mm</li><li>· Central bore diameter: more than 50mm</li><li>· Width: up to 105mm</li></ul>
<b>Number of spools</b>	<p>6 BCN3D Spool Cartridges</p> <p>10 small spools (350/500/750gr.)</p> <p>6 medium spools (1kg.)</p> <p>4 big spools (2.5kg.)</p>

---